

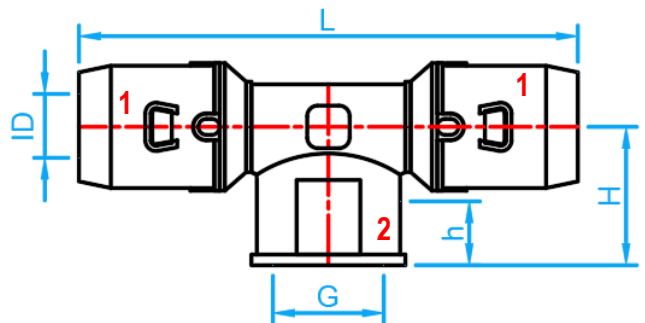
PEX MULTI LAYER PIPES AND FITTINGS



COMPLY WITH BS EN ISO 21003-1:2008
 BS EN ISO 21003-3:2008
 BS EN ISO 21003-5:2008
 BS EN 12165:2016
 AS/NZS 4020:2005
 SS 375:2015



F6 PUSH-FIT PEX FI TEE



SIDE VIEW

DIMENSIONS

SKU	SIZE (mmxinch)	ID (mm)	G BSPT (inch)	h (mm)	L (mm)	H (mm)	WEIGHT (kg)	PCS/CTN
PEXF6FIT01616	16X1/2"	11.80	1/2"	14	94	26	0.118	110
PEXF6FIT01620	16X3/4"	11.80	3/4"	15	99	27	-	-
PEXF6FIT02016	20X1/2"	15.80	1/2"	14	97	27	0.122	90
PEXF6FIT02020	20X3/4"	15.80	3/4"	15	102	28	-	-
PEXF6FIT02516	25X1/2"	19.75	1/2"	14	107	29	-	-
PEXF6FIT02520	25X3/4"	19.75	3/4"	15	112	30	-	-
PEXF6FIT03216	32X1/2"	25.75	1/2"	14	118	32	-	-
PEXF6FIT03220	32X3/4"	25.75	3/4"	15	123	33	-	-
PEXF6FIT03225	32X1"	25.75	1"	16	131	34	-	-